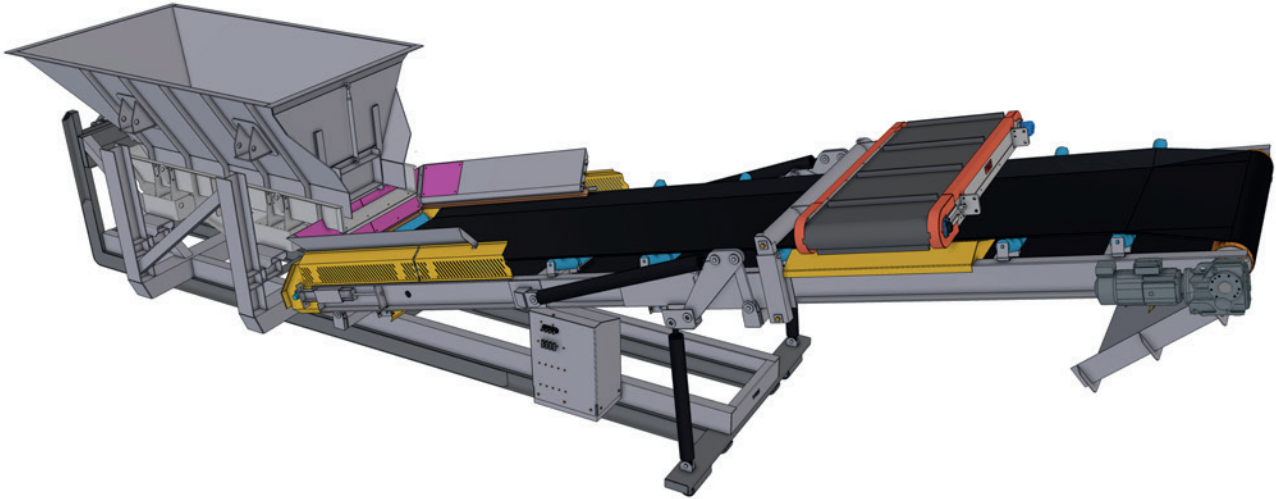


Bunker 100 – Hooklift mobile bunker feeder



Description

- Heavy-Duty hopper (volume 7m³) with adjustable flow-plate at outlet
- Robust vibrating feeder with Hardox wear plates
- Speed adjustable feeding (large adjustment range)
- 1m operating width (other size on request)
- Galvanized frame and stainless steel (coated) covers
- Hydraulically foldable conveyor belt end
- Solid hooklift frame for easy loading and transport

Dimensions

Transport:

7,4 x 2,5 x 2,6m (l x w x h)

Operational:

10,8 x 2,5 x 3,5m (l x w x h)

Weight

9t

Installed power

13,5kW

Applications

- IBA (Incinerator Bottom Ash) ▪ Metals ▪ Waste ▪ Wood (shredded)

